

## 標準型安全限位開關

- 多種接點類型包括: 1NC/1NO, 2NC.
- 可同時用於標準負載與微小負載
- 可對應EN115, EN81-1

- 各動作型均備有Zb接點
- 符合UL, CCC, EN(TUV) 安全標準

## Standard Safety Limit Switch

- Multiple contact models: 1NC/1NO, 2NC.
- Applicable to both standard loads and microload.
- Conforms to EN115 and EN81-1. ●All lineup includes Zb contacts.
- Certified standards: UL, EN(TUV), and CCC.

## ■性能 Characteristics

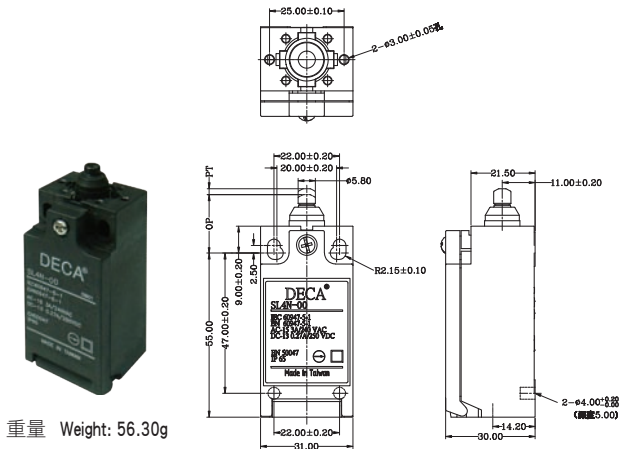
保護結構 Degree of protection		IP67 ( EN60947-5-1 )
壽命 Durability	機械性 Mechanical	15,000,000 operations min.
	電器性 Electrical	500,000 operations min. (3A resistive load at 250 VAC) 300,000 operations min. (10A resistive load at 250 VAC)
容許操作速度 Operating Speed		1 to 500 mm/s
容許操作頻率 Operating Frequency	機械性 Mechanical	30 operations /minute max.
	電器性 Electrical	
額定頻率 Rated Frequency		50/60Hz
絕緣阻抗(絕緣電阻) Insulation Resistance		100MΩ min.
接觸阻抗(接點電阻) Contact Resistance		25mΩ max
耐電壓 Dielectric Strength	同極端子間 Between terminals of same polarity	2.5KV
	異極端子間 Between terminals of different polarity	4kV
	各端子與非充電金屬部間 Between each terminal and non-current-carrying metal part	6kV
額定絕緣電壓 (Ui) Rated insulation voltage (Ui)		300V
污染度 (使用環境) Pollution degree (Application environment)		3 (EN60947-5-1)
附帶條件短路電流 Conditional short-circuit current		100A(EN60947-5-1)
額定開放熱電流(Ith) Rated open thermal current(Ith)		10A(EN60947-5-1)
觸電保護等級 Degree of protection against electric shock		Class II(double insulation 雙重絕緣)
振動 Vibration Resistance	誤動作 Malfunction	10-55 Hz 0.75 mm single amplitude (單振幅)
衝擊 Shock Resistance	耐久 Destruction	1,000m/s <sup>2</sup> min.
	誤動作 Malfunction	300m/s <sup>2</sup> min.
使用環境溫度 Ambient operating temperature range		-30~+70°C with no icing (不結冰)
使用環境濕度 Ambient operating humidity range		95% max.
包裝說明 Packing		5pcs /Box

★備註 1.以上為初始值 2.上述性能內容將因機種型式而有所不同.請另行洽詢 3.上述壽命值為周圍溫度5-35度C, 周圍濕度40-70%RH時之條件。如您需要其它詳細條件, 請另行洽詢。

★Note: 1. Above values of these characteristics are initial values. 2. Above values of these characteristics may be depending on different models. If any requirements, pls contact our DECA sales representative. 3. Above durability is for an ambient temperature of 5 to 35° and ambient humidity of 40% to 70%. If any requirements, pls contact our DECA sales representative.

### SL4N-00

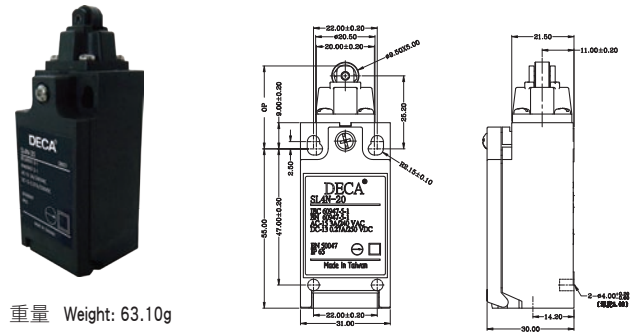
- 標準柱塞型  
Standard Top Plunger



重量 Weight: 56.30g

### SL4N-20

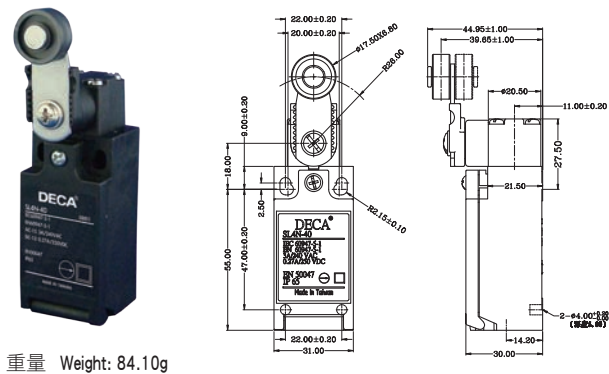
- 標準滾輪柱塞型  
Standard Roller Plunger



重量 Weight: 63.10g

### SL4N-40

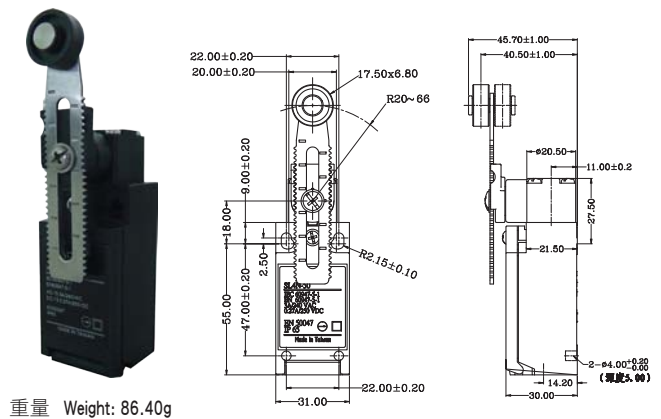
- 站立標準滾輪擺桿型  
Vertical Standard Roller Lever



重量 Weight: 84.10g

### SL4N-50

- 可變式滾手柄鎖定型  
Adjustable Roller Lever, Form Lock  
(With Metal Lever, rubber Roller)



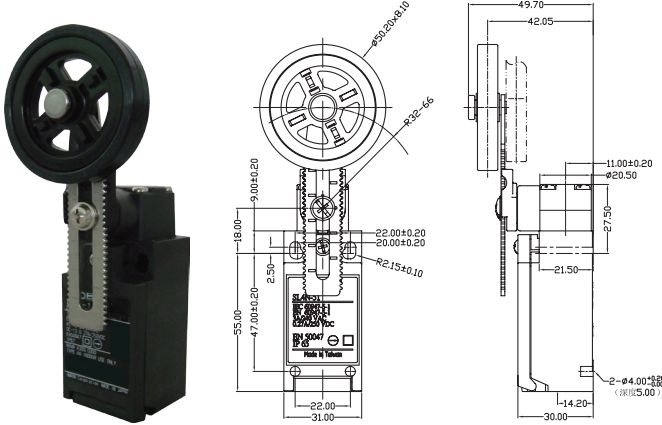
重量 Weight: 86.40g

### 動作特性 Operating Characteristics

O.Characteristics		Model	SL4N-00	SL4N-20	SL4N-40	SL4N-50
動作所需的力量	OF	MAX	6.5N	6.5N	5.0N	4.5N
復歸力	RF	MIN	1.5N	1.5N	0.5N	0.4N
動作前的移動	PT	MAX	2mm	2mm	18~27 °	18~27 °
動作後的移動	OT	MIN	4mm	4mm	40 °	40 °
應差的移動	MD	MAX	1mm	1mm	14 °	14 °
動作位置	OP		18.2±0.5mm	28.6±0.8mm	—	—
全體的動作	TT		(6mm)	(6mm)	(80 °)	(80 °)
直接開路前的移動	DOT	MIN	3.2mm	3.2mm	50 °	50 °
直接開路移動力	DOF	MIN	20N	20N	20N	20N

### SL4N-51

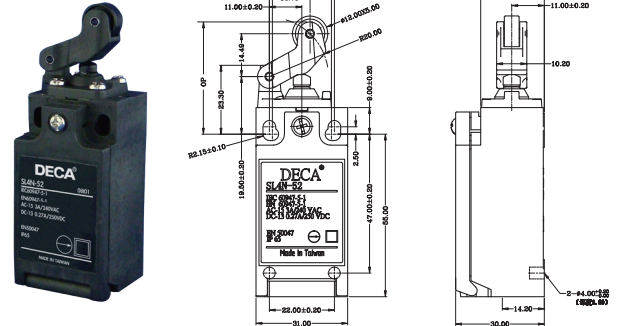
- 可變式滾手柄鎖定型  
Adjustable Roller Lever, Form Lock  
(with Metal Lever, Rubber Roller)



重量 Weight: 100.70g

### SL4N-52

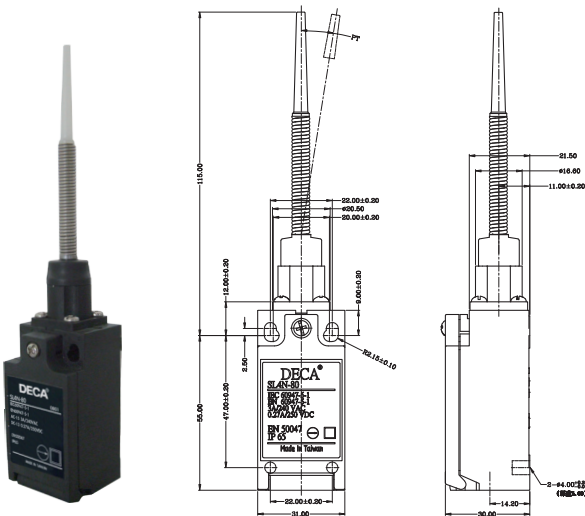
- 單向水平動作滾輪擺桿  
One-way Roller Arm Lever (Horizontal)



重量 Weight: 64.00g

### SL4N-81

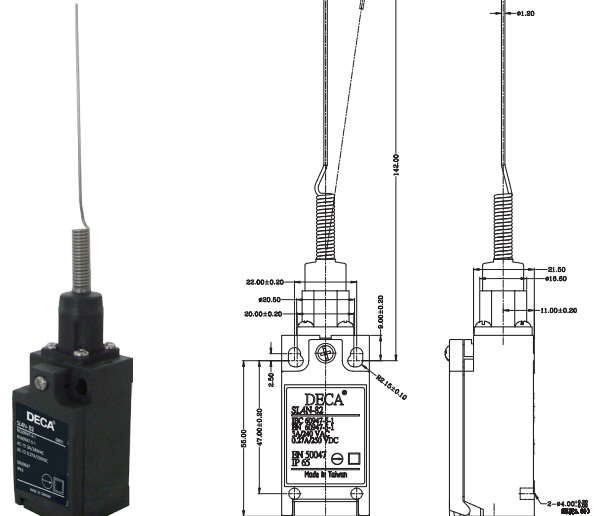
- 塑膠棒無方向型  
Plastic Rod



重量 Weight: 73.40g

### SL4N-82

- 鋼絲彈簧無向型  
Cat Whisker



重量 Weight: 71.00g

### 動作特性 Operating Characteristics

O.Characteristics		Model	SL4N-51	SL4N-52	SL4N-80	SL4N-82
動作所需的力	OF	MAX	4.5N	5.0N	1.5N	1.5N
復歸力	RF	MIN	0.4N	0.8N	—	—
動作前的移動	PT	MAX	18~27°	4mm	15°	15°
動作後的移動	OT	MIN	40°	5mm	—	—
應差的移動	MD	MAX	14°	1.5mm	—	—
動作位置	OP		—	37±0.8mm	—	—
全體的動作	TT		(80°)	(9mm)	—	—
直接開路前的移動	DOT	MIN	50°	5.8mm	—	—
直接開路移動力	DOF	MIN	20N	20N	—	—